

LOGITEK Price List



Sole Australia & NZ Importer / Distributor:
 Oceanic Distribution
 19 / 22 Northumberland Road
 CARINGBAH NSW 2229
Phone: 1300 556 303

Price List Effective:

1st January 2010

Warranty:

Lifetime Brackets
 1 Year Motor
 5 Years Racks

Lowell Racks

Model Code

LPTR 19B2C12



Product Description

- Pull Out & Turn Rack
- Bottom base turntable with two heavy-duty slides
- Removable rack base for in-shop wiring
- Six corner-post rails (12RU) and 2-side stiffeners
- Cable lacing panels (6)
- Load capacity: 68kg
- Black powder coated finish

Retail Inc

999



LPTR 19B4

- Optional base upgrade for above rack
- Bottom base turntable with four heavy-duty slides
- Load capacity:136kg

165

LPTR C21

- Optional rack height increase for above rack
- 21RU corner-post rails

33

LPTR TC

- Optional top cover for above rack

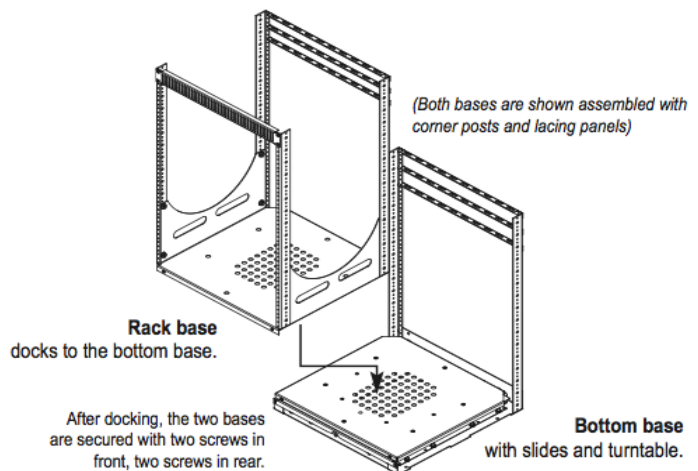
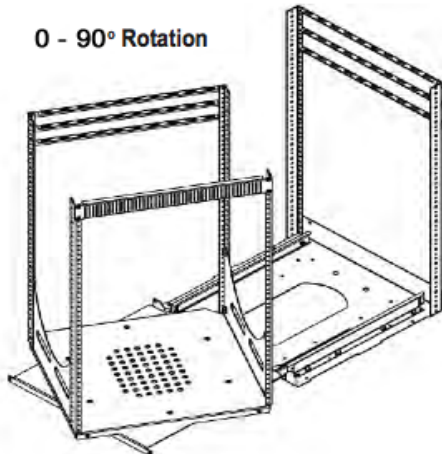
115

LPTR SHELF

- Optional shelf for above rack
- 2RU height
- 14inch depth

99

0 - 90° Rotation



Removable rack base allows shop wiring of equipment.

LOGITEK Price List



Sole Australia & NZ Importer / Distributor:
 Oceanic Distribution
 19 / 22 Northumberland Road
 CARINGBAH NSW 2229
Phone: 1300 556 303

Price List Effective:

1st January 2010

Warranty:

Lifetime Brackets
 1 Year Motor
 5 Years Racks

Plasma / LCD Brackets

PSW Series

Model Code	Product Description	Retail Inc
PSW003M	<ul style="list-style-type: none"> - Flat Style Bracket - VESA 480 x 710 - Mounting Width 50 to 710mm - Mounting Height up to 480mm - 30" to 50" TV's - Up to 50KG - Bracket Thickness 29mm - Available in Silver 	65
PSW001W	<ul style="list-style-type: none"> - Wire Style Bracket - VESA 400 x 400 - 32" to 55" TV's - Up to 50KG - Bracket Thickness 15.2mm 	86
PSW118SF1	<ul style="list-style-type: none"> - Flat Style Bracket - VESA 500 x 400 - Mounting Width 50 to 500mm - Mounting Height up to 400mm - 23" to 42" TV's - Up to 60KG - Bracket Thickness 25.5mm - Available in Black 	107
PSW118MF1	<ul style="list-style-type: none"> - Flat Style Bracket - VESA 800 x 600 - Mounting Width 50 to 800mm - Mounting Height up to 600mm - 36" to 65" TV's - Up to 60KG - Bracket Thickness 25.5mm - Available in Black 	130

****Mixed Bulk Buy Possible****

LOGITEK Price List



Sole Australia & NZ Importer / Distributor:
 Oceanic Distribution
 19 / 22 Northumberland Road
 CARINGBAH NSW 2229
Phone: 1300 556 303

Price List Effective:



1st January 2010

Warranty:

Lifetime Brackets
 1 Year Motor
 5 Years Racks

Plasma / LCD Brackets

PSW Series

Model Code	Product Description	Retail Inc
PSW710	 <ul style="list-style-type: none"> - Articulated Arm Bracket - VESA 200 x 200 - 10" to 32" TV's - Up to 35KG - Bracket Thickness 60 - 526mm - Adjustable Tilt / Angle - Available in Black - Vertical Wall Mounting 	179
PSW974S	 <ul style="list-style-type: none"> - Articulated Dual Arm Bracket - VESA 400 x 300 - 23" to 42" TV's - Up to 40KG - Bracket Thickness 125 - 385mm - Adjustable Tilt / Angle - Available in Black - Vertical Wall Mounting 	299
PSW770AU	 <ul style="list-style-type: none"> - Articulated Arm Bracket - VESA 400 x 400 - 23" to 42" TV's - Up to 35KG - Bracket Thickness 43.5 - 446mm - Available in Black - Only 43.5mm Thick When Closed To The Wall 	299
PSW703AT	 <ul style="list-style-type: none"> - Articulated Dual Arm Bracket - VESA 800 x 600 - Mounting Width 400 to 810mm - Mounting Height up to 650mm - 36" to 70" TV's - Up to 75KG - Bracket Thickness 130 - 580mm - Adjustable Tilt / Angle - Available in Black 	399

LOGITEK Price List



Sole Australia & NZ Importer / Distributor:

Oceanic Distribution
 19 / 22 Northumberland Road
 CARINGBAH NSW 2229
Phone: 1300 556 303

Price List Effective:

1st January 2010

Warranty:

Lifetime Brackets
 1 Year Motor
 5 Years Racks

Motorised Plasma / LCD Bracket

ETW Series

Model Code

ETW101

Product Description

- Motorised Panning Bracket
- VESA 400 x 300
- 14" to 42" TV's
- Up to 40KG
- Bracket Thickness 260mm
- Remote Control Adjustable Angle

Retail Inc

550



Wall Equipment Shelf

PDH Series

Model Code

PDH104

Product Description

- Wall Shelf For Equipment
- 600mm High Wall Strip
- Inclusive Cable Management System
- Twin Shelves 300mm Deep x 420mm Wide
- 10KG Load Capacity
- Finished In Silver With Clear Glass Shelves

Retail Inc

165



Projector Brackets

PMB Series

Model Code

PMB301A

Product Description

- Universal Projector Mount
- 100mm Drop With Single Post
- 100mm Extra Post For 200mm Drop
- 150mm Diameter Roof Plate With Cover
- 180mm Diameter Projector Plate
- Four Adjustable Arms For Projector Mounting
- Bracket Drop 158 - 258mm
- Available in Silver

Retail Inc

130



PMB301A 200POST

- Post Extension For PMB301A
- Bracket Drop 158 - 358mm
- 200mm Extra Post For 300mm Drop

45



PMB301A 600POST

- Post Extension For PMB301A
- Bracket Drop 158 - 758mm
- 600mm Extra Post For 700mm Drop

90



www.oceanicdistribution.com

LOGITEK Price List



Sole Australia & NZ Importer / Distributor:
 Oceanic Distribution
 19 / 22 Northumberland Road
 CARINGBAH NSW 2229
Phone: 1300 556 303

Price List Effective:

1st January 2010

Warranty:

Lifetime Brackets
 1 Year Motor
 5 Years Racks

Plasma / LCD Roof Bracket

PSR Series

Model Code

Product Description

Retail Inc

PSR108



- Roof Mounting LCD Bracket
- VESA 200 x 200
- Drop 460 - 790mm To Middle Of Bracket
- 10" to 37" TV's
- Up to 35KG
- Available In Black

165

PSR703M



- Roof Mounting LCD Bracket
- VESA 400 x 400
- Fixed Drop 762mm To Middle Of Bracket
- 23" to 42" TV's
- Up to 35KG
- Available In Black

249

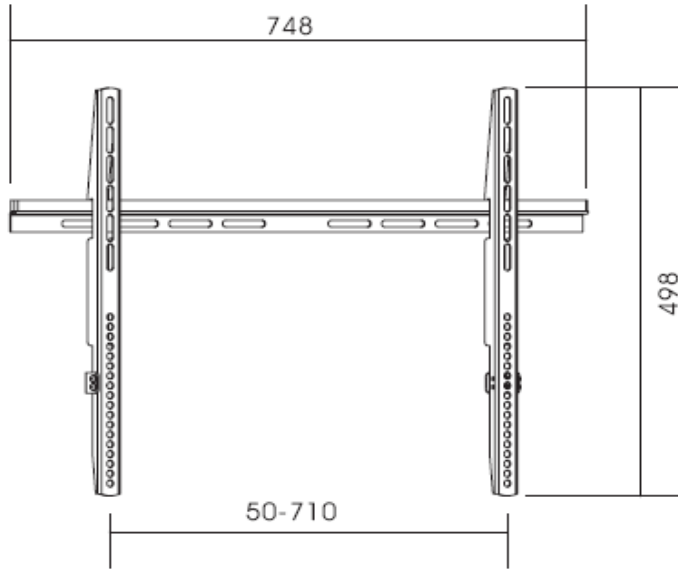
PSR105A



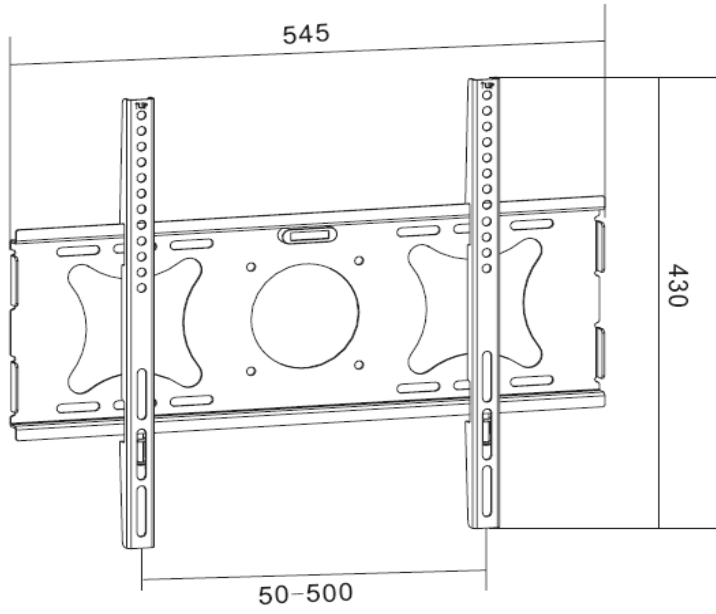
- Roof Mounting LCD Bracket
- VESA 600 x 400
- Drop 460 - 790mm To Middle Of Bracket
- 36" to 55" TV's
- Up to 75KG
- Available In Black

349

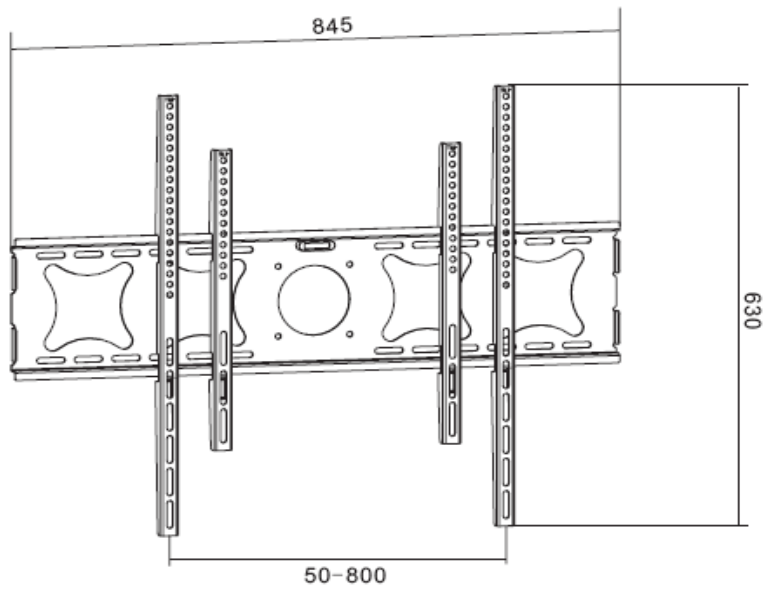
Logitek Technical Drawings
PSW003M



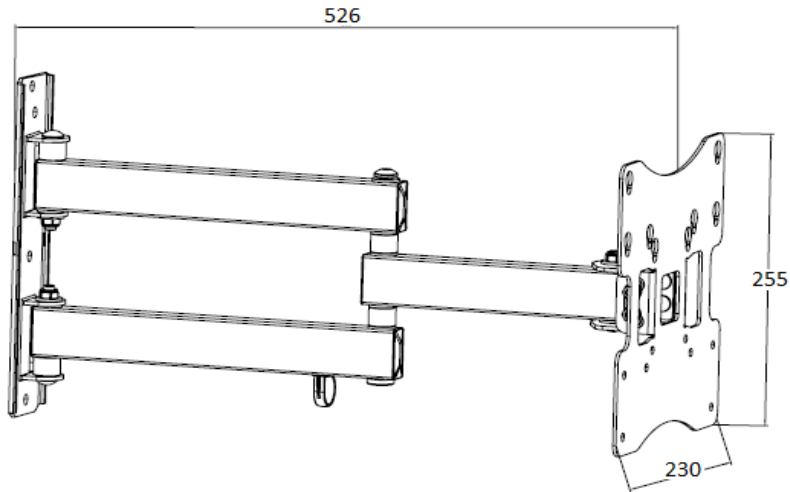
PSW118SF1



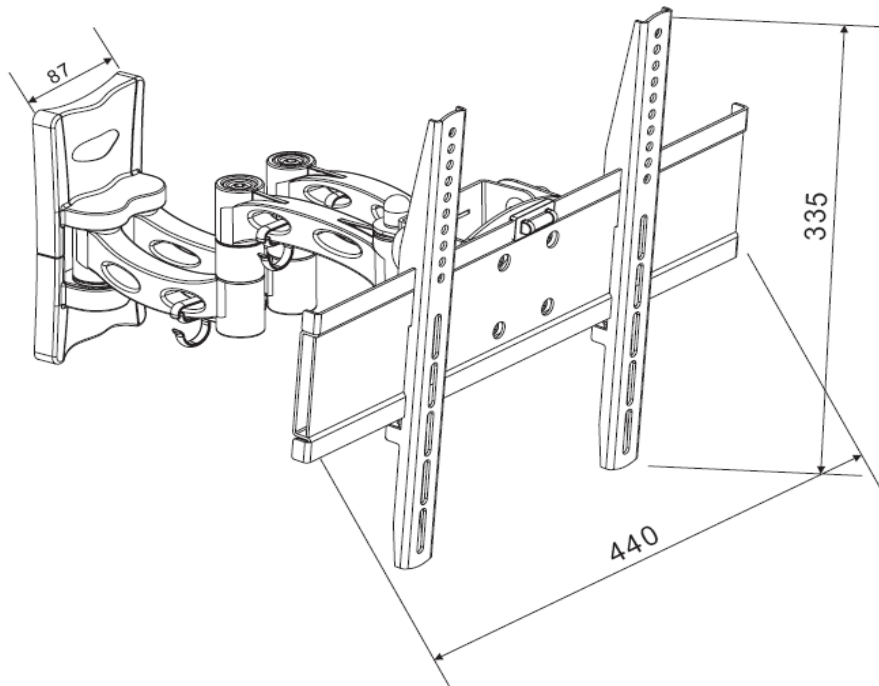
PSW118MF1



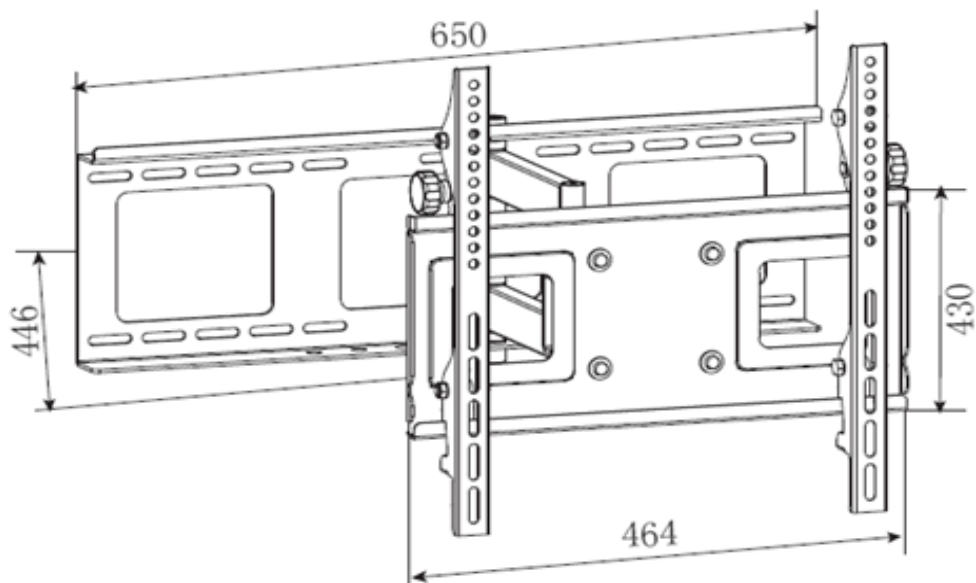
PSW710



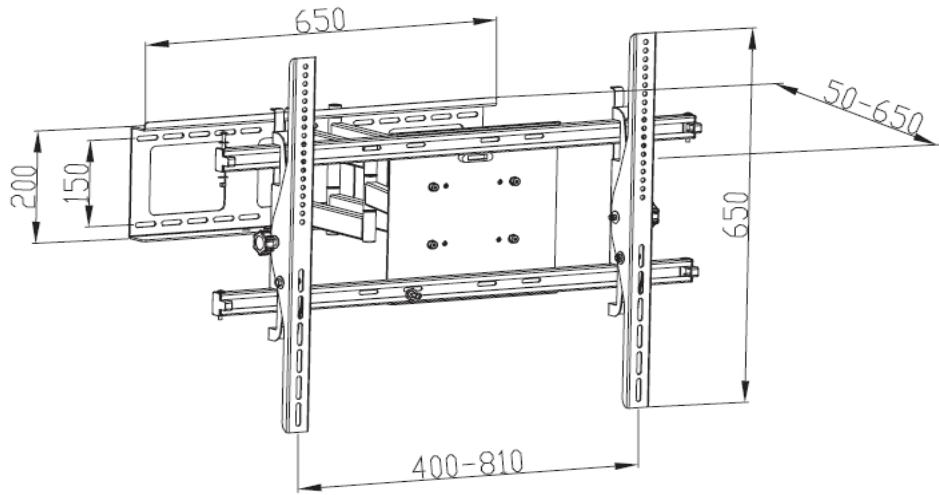
PSW974S



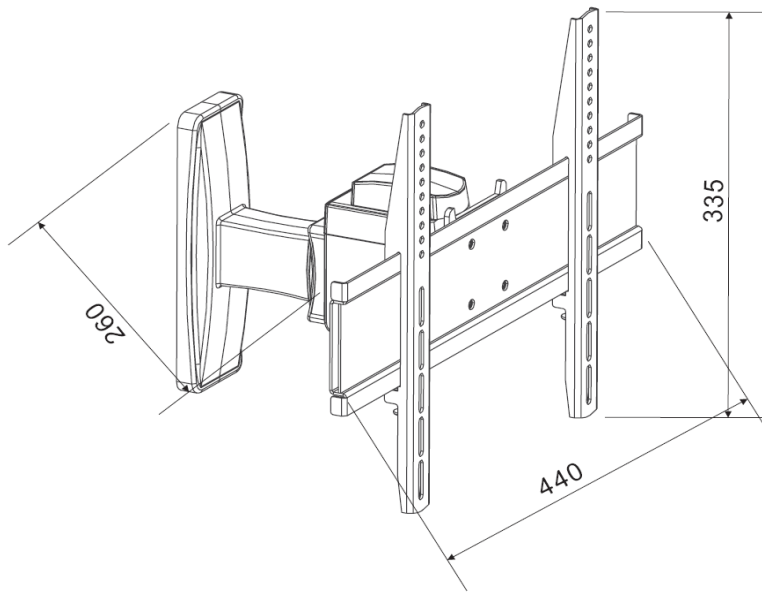
PSW770AU



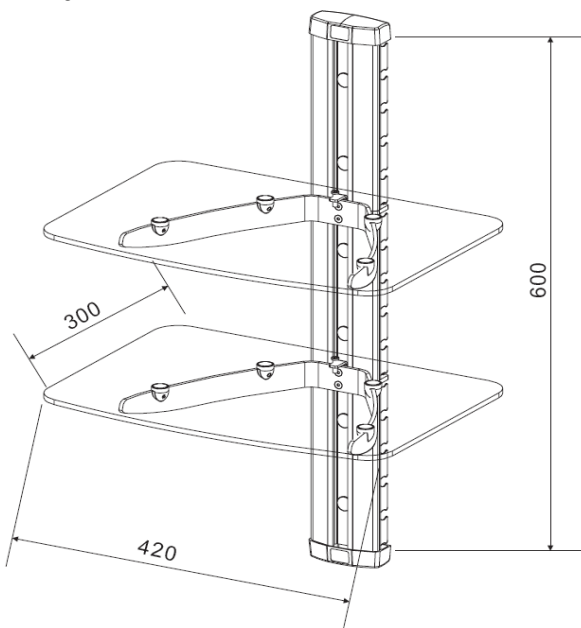
PSW703AT



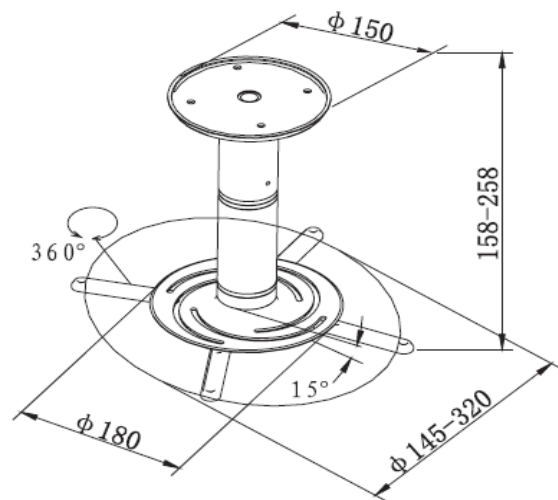
ETW101



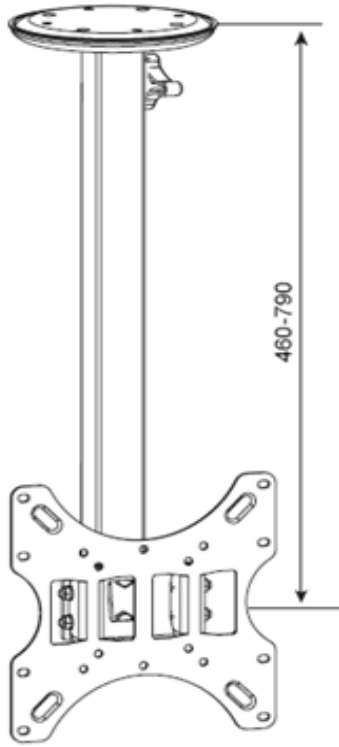
PDH104



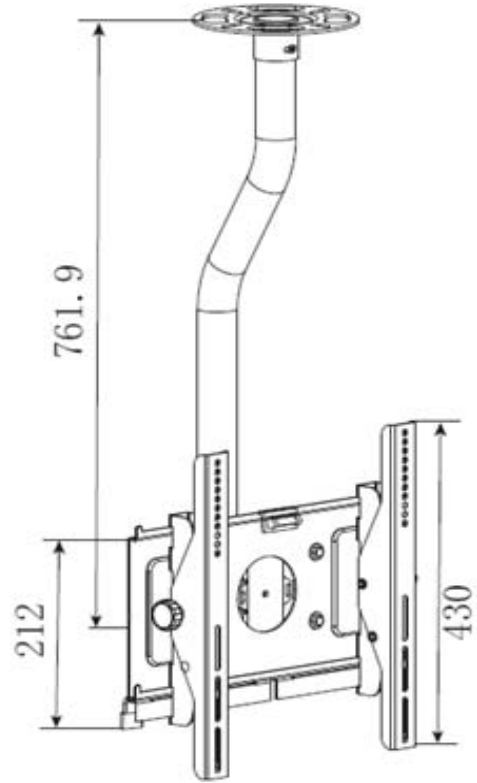
PMB301A



PSR108



PSR703M



PSR105A

